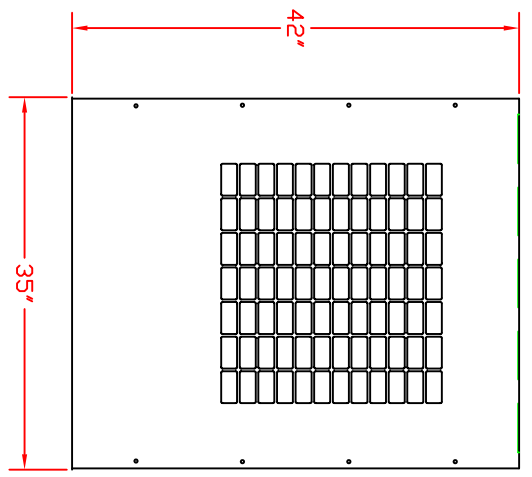
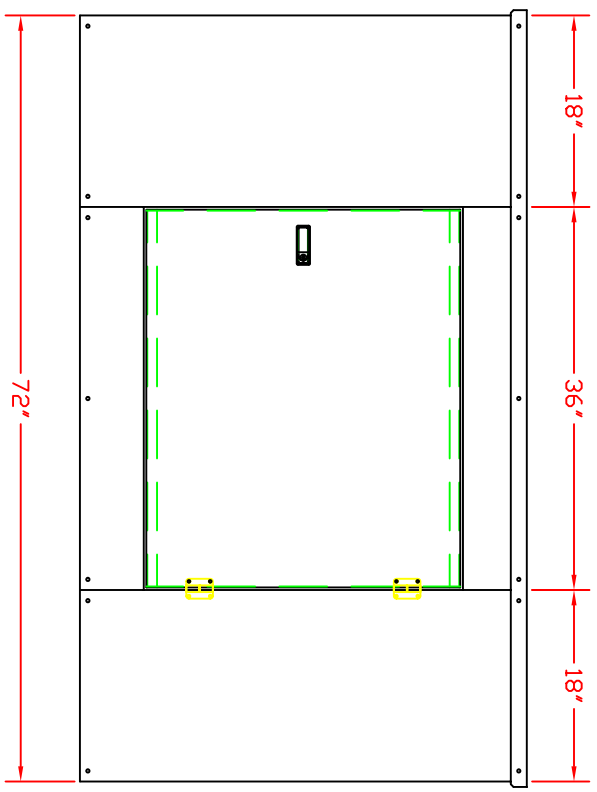
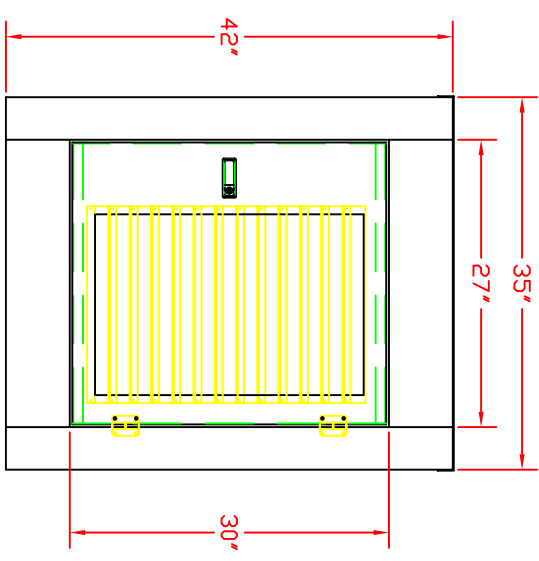


MATERIAL	090 ALUMINUM 5052	QUANTITY	
----------	-------------------	----------	--

REVISIONS				
ZONE	REV	DESCRIPTION	DATE	APPROVED



Your Project Name Here

APPROVED BY:		<div style="font-size: 24px; font-weight: bold;">Your Project Name Here</div>		
DATE				
DRAWN BY: C.M.	DATE 05/17/02	SCALE N.T.S.	FILE # ENCLOSURES	DESC. 72X35X42 ENC.
		SIZE TANK SPEC	DWG NO.	REV