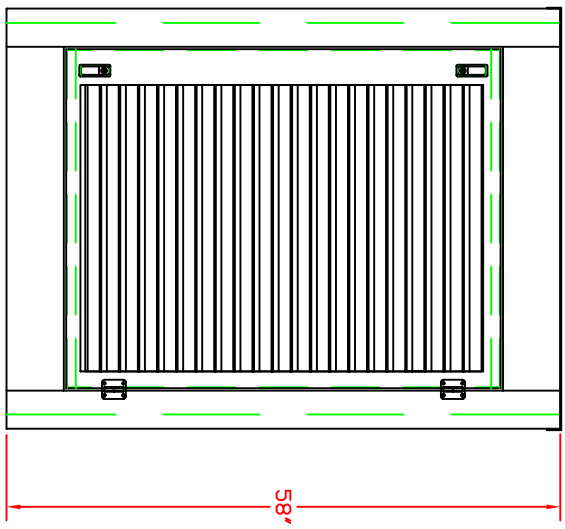
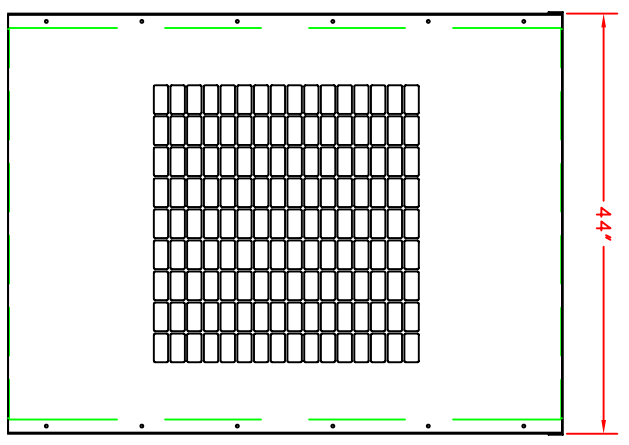
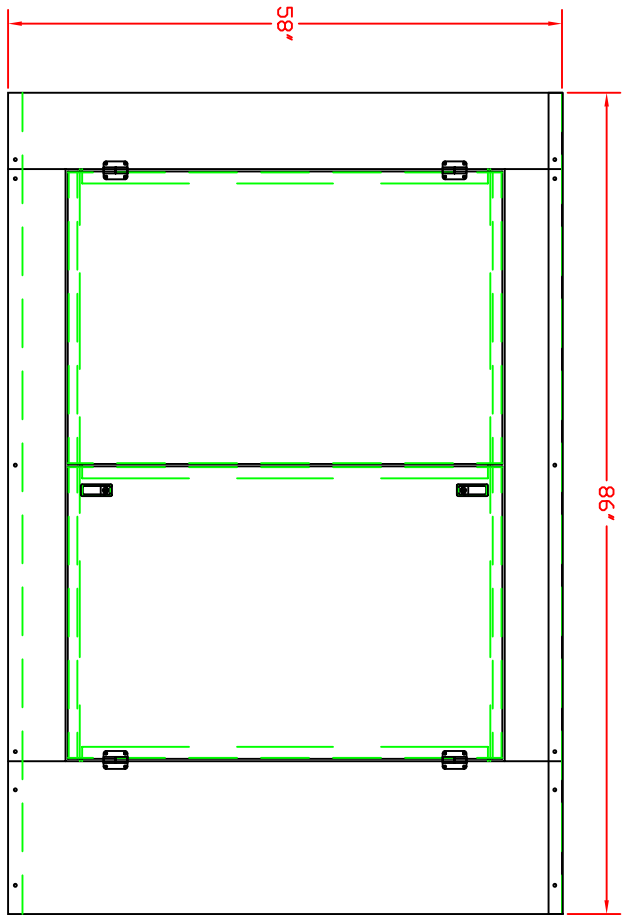


MATERIAL	090 ALUMINUM 5052	QUANTITY	
----------	-------------------	----------	--

REVISIONS		DESCRIPTION	DATE	APPROVED
ZONE	REV			



Your Project Name Here

APPROVED BY:		DATE		SCALE		FILE #		ENCLOSURE		DESC.	
		07/30/01		N.T.				86X44X58 ENC.			
DRAWN BY: C.M.		DATE		SCALE		FILE #		ENCLOSURE		DESC.	

DATE	SIZE	TANK SPEC	DWG NO.	REV