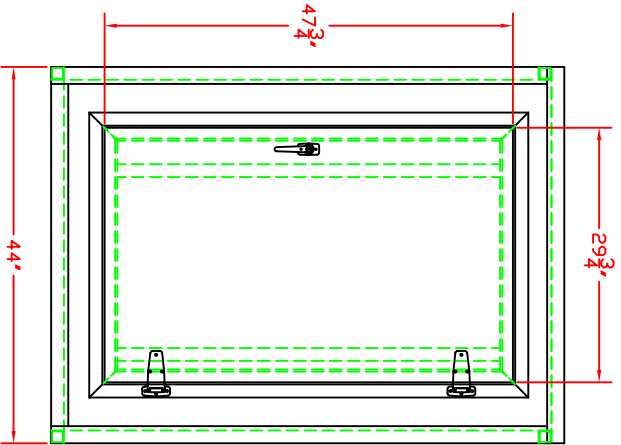
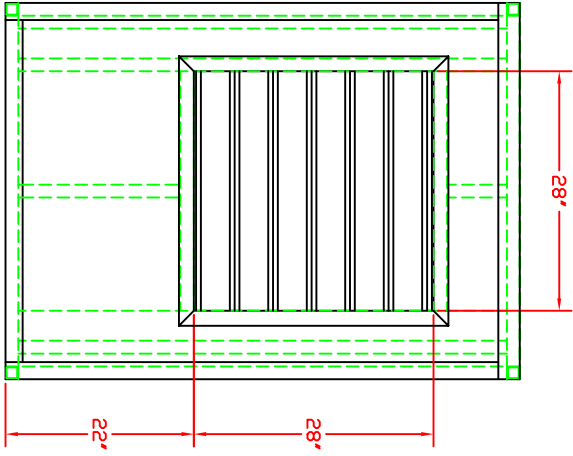
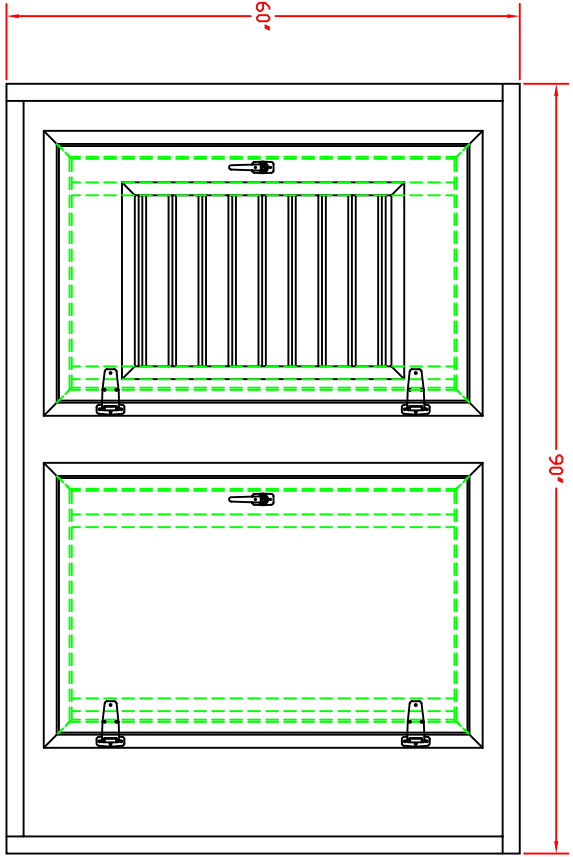


MATERIAL	ALUMINUM ENCLOSURE	QUANTITY	
----------	--------------------	----------	--

REVISIONS				
ZONE	REV	DESCRIPTION	DATE	APPROVED



Your Project Name Here

APPROVED BY:		DATE		SCALE		ENCLOSURE #		REV	
		04/08/02		N.T.		90x44x60 ENC.			
DATE	SIZE	TANK SPEC	DWG NO.	FILE #	DESC.				

DRAWN BY: C.M. DATE 04/08/02 SCALE N.T. FILE # ENCLOSURE # 90x44x60 ENC.