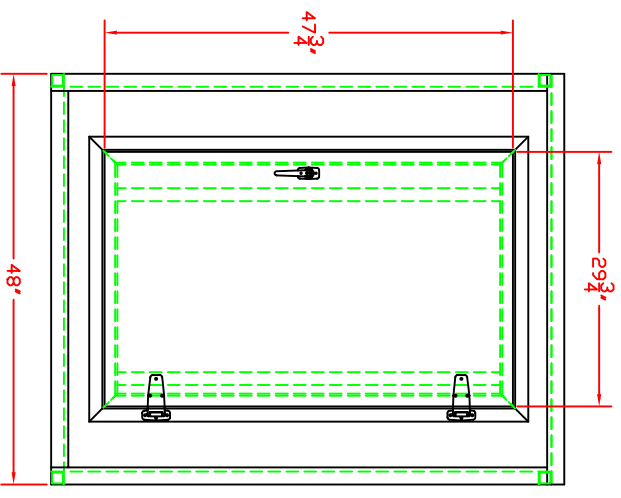
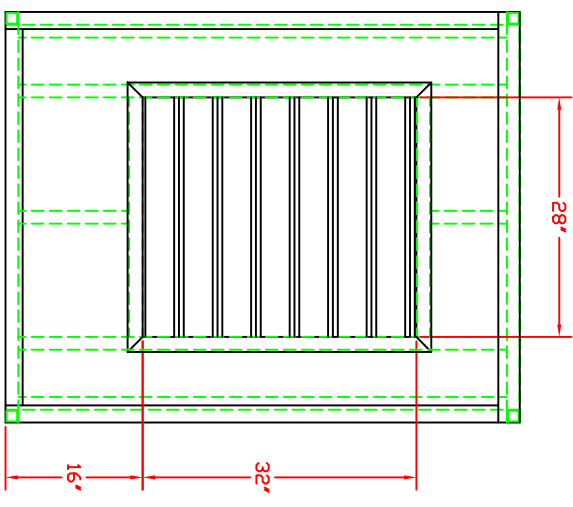
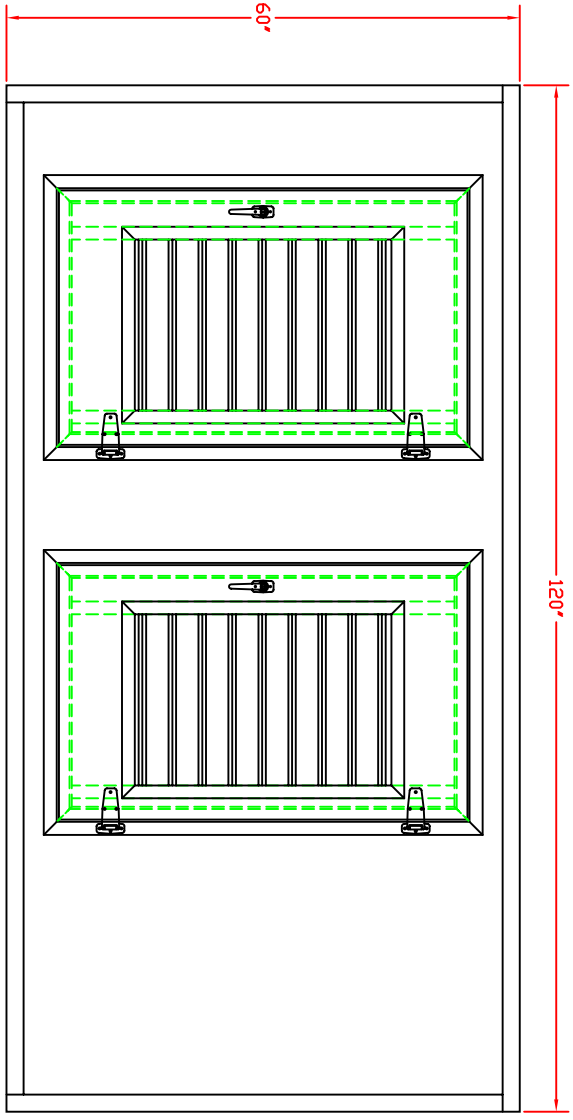


MATERIAL	ALUMINUM ENCLOSURE	QUANTITY	
----------	--------------------	----------	--

REVISIONS				
ZONE	REV	DESCRIPTION	DATE	APPROVED



Your Project Name Here

APPROVED BY:		DATE	
DRAWN BY: C.M.		DATE 04/08/02	
SIZE	TANK SPEC	DWG NO.	REV
SCALE N.T.S.		FILE # ENCLOSURE	120x48x60 ENQ.