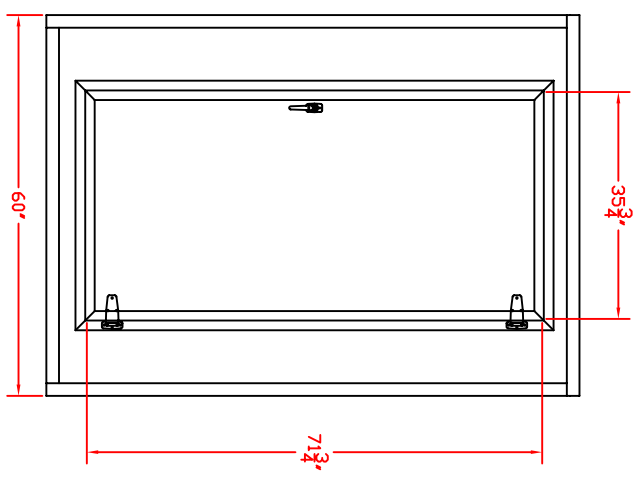
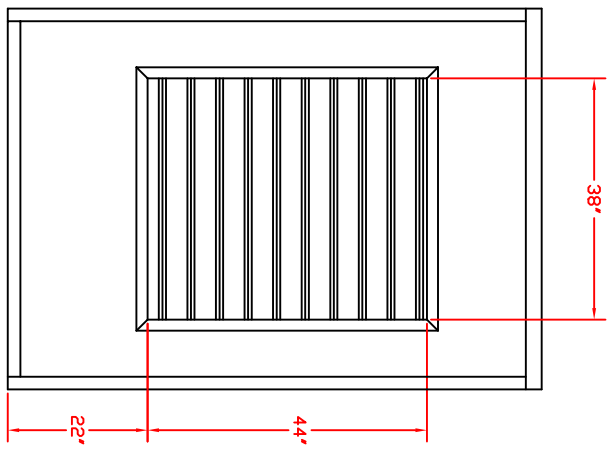
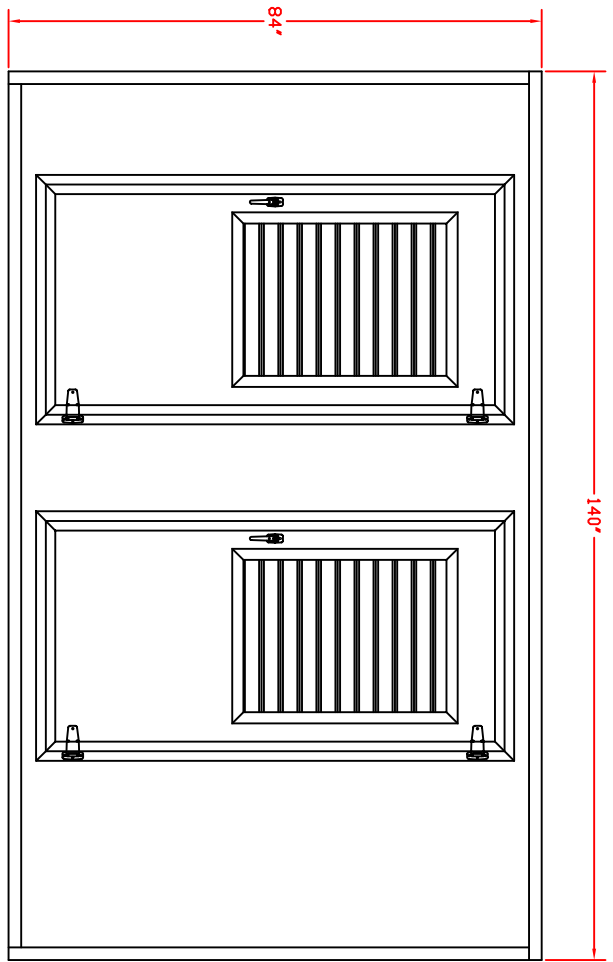


MATERIAL	ALUMINUM ENCLOSURE	QUANTITY	
----------	--------------------	----------	--

REVISIONS				
ZONE	REV	DESCRIPTION	DATE	APPROVED



Your Project Name Here

APPROVED BY:		DATE		SCALE		ENCLOSURE	

