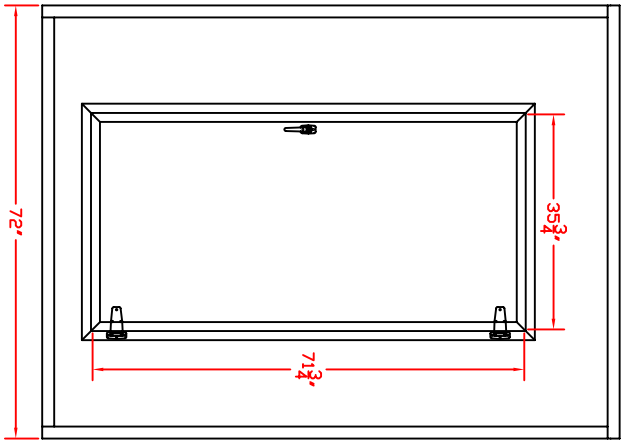
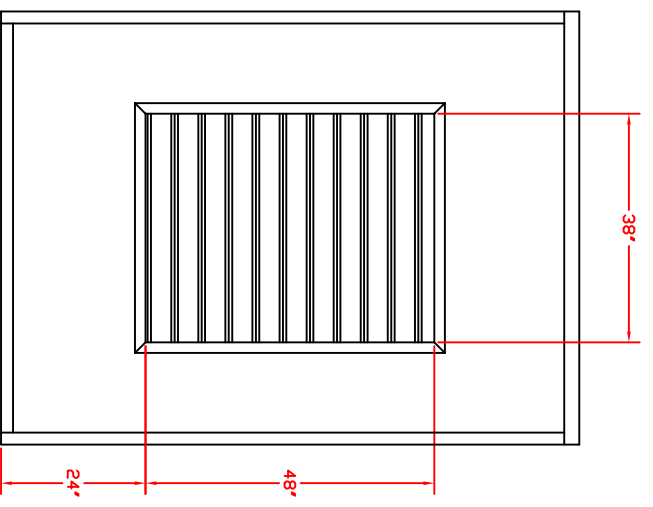
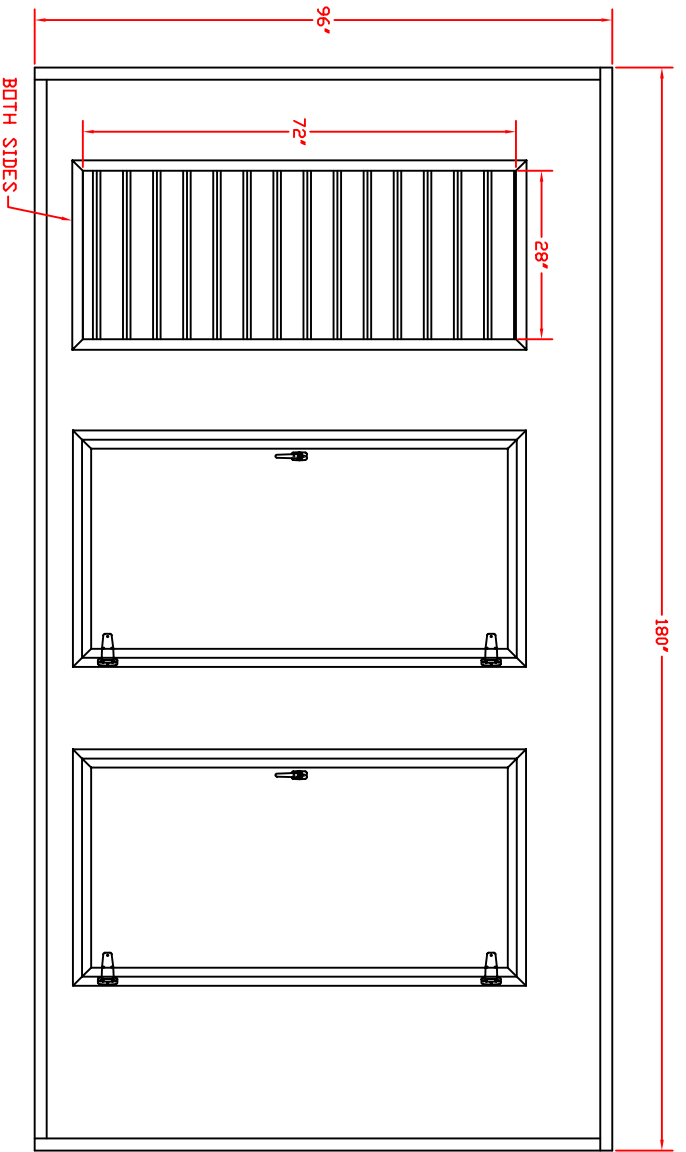


MATERIAL	ALUMINUM ENCLOSURE	QUANTITY	
----------	--------------------	----------	--

REVISIONS			
ZONE	REV	DESCRIPTION	DATE



Your Project Name Here

APPROVED BY:		DATE	
DRAWN BY: C.M.		DATE 05/14/02	
SIZE	TANK SPEC	DWG NO.	REV
SCALE	N.T.S.	FILE #	ENCLOSURE
		DESC.	180X72X96 ENQ.